

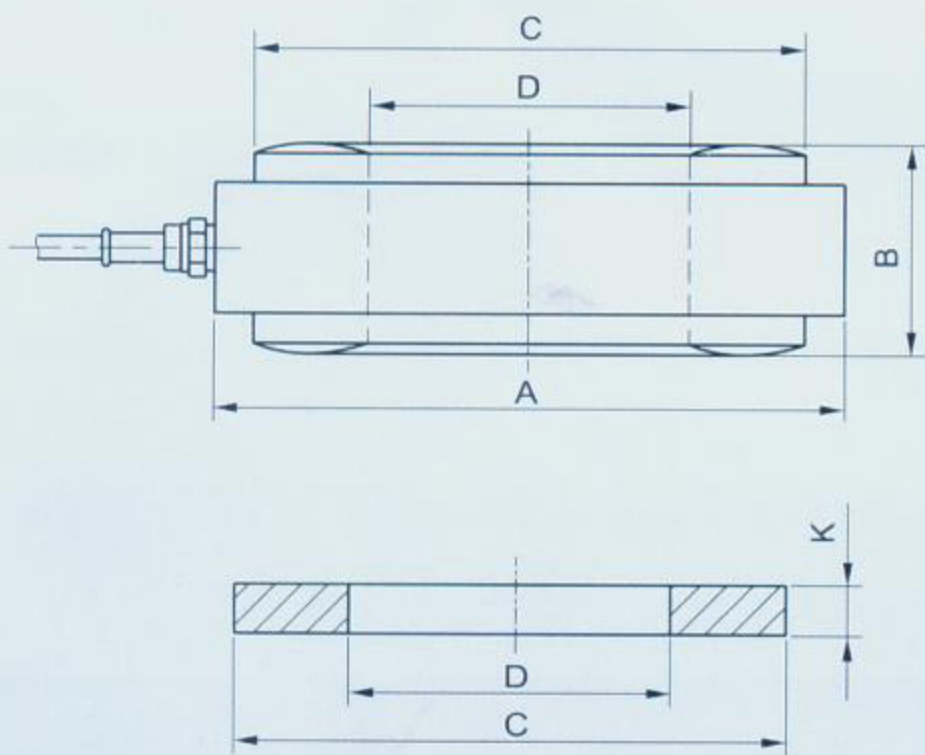


MH7119

SHIM LOAD CELL

Materials: Stainless Steel

Shim load cell, stainless steel, hollow structure, very low profile, easy to install, good interchangeability. Suitable for various bolt, axes, tester and force testing.



Washer (harden)

Specifications

◇Rated Output(mV/V)	1.00~2.00
◇Nonlinearity	±2%FS
◇Hysteresis	±2%FS
◇Repeatability	±0.50%FS
◇Creep(30minutes)	±0.02%FS
◇Zero Balance	±1.00%FS
◇Temperature Effect on Zero	±0.20%FS/10°C
◇Temperature Effect on Output	±0.20%FS/10°C
◇Input Resistance(Ω)	750±30
◇Output Resistance(Ω)	700±5
◇Insulation Resistance	≥5000MΩ
◇Excitation Voltage	10V(DC/AC)
◇Compensated Temperature Range	-10°C~+50°C
◇Operating Temperature Range	-20°C~+60°C
◇Safe Overload	150%FS
◇Cable	Φ4.0×3m (6-16t) Φ5.4×5m (35-75t)

Cable Color Code

Input: Red(+) Black(-);
Output: Green(+) White(-)

Main Dimensions and Accessories

Capacity	Size mm				
	t	A	B	C	D
6	31.0	13.0	17.8	10.3	2.0
8	32.0	16.0	22.5	12.3	2.5
12	42.0	16.0	28.0	16.5	2.5
16	46.0	16.0	38.0	20.3	3.0
35	54.0	24.0	48.0	24.5	3.0
50	65.0	29.0	60.0	30.8	3.0
75	79.0	29.0	64.0	37.0	4.0