



Data Sheet: DMT

DMT

Load cell



Accessories

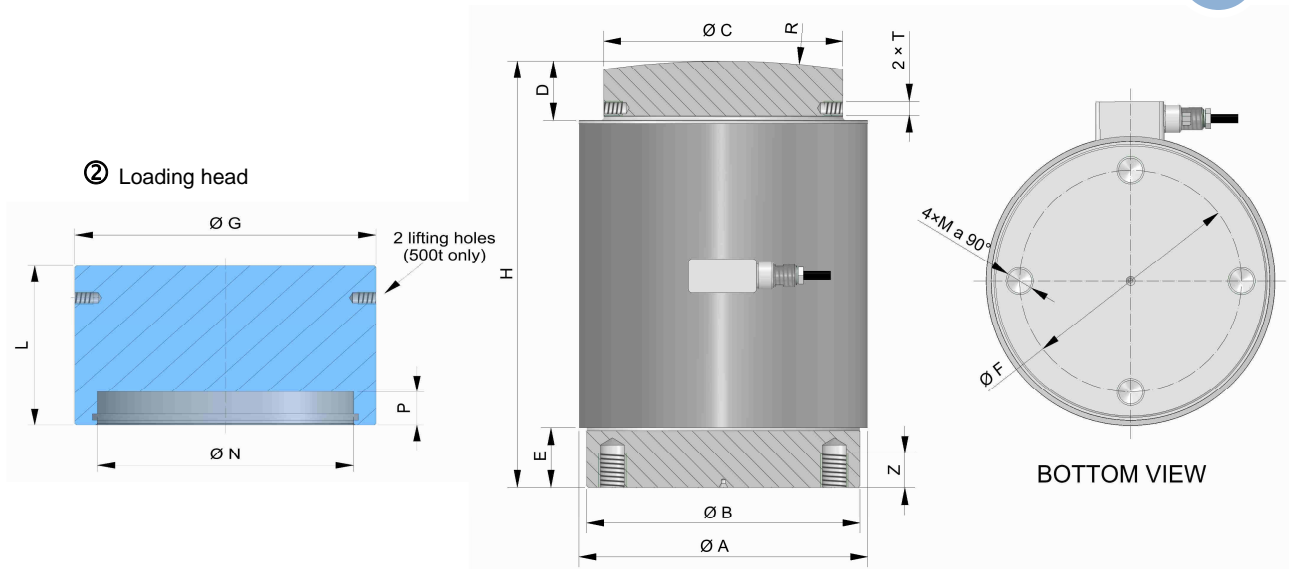


① WIMOD
WIRELESS transmission



Dimensions

[mm]



Load	ØA	ØB	ØC	D	E	F	ØG	H	L	M	ØN	P	R	T	Z
30t 60t 100t	102	94	76	15	15	70	102	165	65	M8	79	12	200	/	16
200t 300t	129	122	106	20	14	90	129	215	80	M12	109	17	350	/	18
500t	168	160	140	35	35	130	168	250	100	M16	143	21	500	M8	20

* Specifications are subject to change without notice

WZO CONTROLS LTD



Technical Data



ACCURACY CLASS: OIML R60	C1	C2	
LEGAL DIVISIONS	1000	2000	
NOMINAL LOAD (E_{max})	30, 60, 100, 200, 300, 500 t		
MINIMUM VERIFICATION INTERVAL (V_{min})	$E_{max} / 10000$		
COMBINED ERROR	$\leq \pm 0.045\%$	$\leq \pm 0.023\%$	
NON REPEATABILITY	$\leq \pm 0.015\%$	$\leq \pm 0.010\%$	
ZERO RETURN over 30 min.	$\leq \pm 0.036\%$	$\leq \pm 0.026\%$	
CREEP at nominal load:			
a) over 30 min.	$\leq \pm 0.035\%$	$\leq \pm 0.028\%$	
b) over 20 and 30 min.	$\leq \pm 0.010\%$	$\leq \pm 0.008\%$	
TEMPERATURE EFFECT (10 °C)			
a) on zero	$\leq \pm 0.030\%$	$\leq \pm 0.024\%$	
b) on sensitivity	$\leq \pm 0.030\%$	$\leq \pm 0.017\%$	
NOMINAL SENSITIVITY	2mV/V		
CALIBRATION TOLERANCE	$\leq \pm 0.1\%$		
NOMINAL LOAD	30, 60, 100t		
Input resistance	700 \pm 2 Ω		
Output resistance	700 \pm 2 Ω		
NOMINAL LOAD	200, 300, 500t		
Input resistance	350 \pm 2 Ω		
Output resistance	350 \pm 2 Ω		
INSULATION RESISTANCE	> 5 G Ω		
ZERO BALANCE	$\leq \pm 1\%$ FS		
RECOMMENDED SUPPLY VOLTAGE	10 V		
NOMINAL SUPPLY VOLTAGE	1 \pm 15 V		
MAXIMUM SUPPLY VOLTAGE	18 V		
MECHANICAL LIMIT values referred to nominal load:			
a) minimum load	0%		
b) service load	120%		
c) max permissible load	150%		
d) breaking load	> 300%		
e) max transverse load	50%		
REFERENCE TEMPERATURE	+23°C		
TEMPERATURE NOMINAL RANGE	-10/+40 °C		
WORKING TEMPERATURE	-20/+70 °C		
STORAGE TEMPERATURE	-20/+80 °C		
NOMINAL LOAD	30, 60, 100t	200, 300t	500t
WEIGHT	~ 7 kg	~ 16 kg	~ 31 kg
PROTECTION CLASS (EN 60529)	IP68		
EXECUTION MATERIAL	Acciaio Inox / Stainless Steel		
CABLE LENGTH	5m		

Acceleration of gravity $g=9.80434 \text{ m/s}^2$.

Options

CONNECTOR OUTPUT	MIL-C-5015 7 poles male
PROTECTION CLASS (EN 60529)	IP65

Electrical Connections

PVC 105°C shielded cable, $\varnothing 5.2\text{mm}$ with 6 tinned $\varnothing 0.25\text{mm}^2$ conductors. Shield connected to the body of the load cell.

Load cell	OUTPUT	CABLE	MIL7M (optional)	M12 CONNECTOR (optional)
	EXCITATION+	Red	C	1
	SENSE+	Orange	F	5
	OUTPUT+	White	A	3
	EXCITATION -	Black	B	2
	SENSE-	Blue	G	6
	OUTPUT-	Yellow	D	4
	-----	Shield*	E	8
				<p>With female 8 poles straight M12x1 CONNECTOR complete of PVC 80°C shielded cable, $\varnothing 5.2\text{mm}$ with 6 tinned $\varnothing 0.25\text{mm}^2$ conductors. Length: 5m.</p> <p>Front view male receptacle</p>

* Specifications are subject to change without notice