



## Series QVI

### UHP(Ultra High Purity) Pressure Transmitter



The QVI are pressure transmitter designed for stable, accurate, and reliable pressure monitoring in ultra high purity applications. The ultra stable, micro machined silicon strain gauges are matched and fused, at high temperature to the metal diaphragm to relieve manufacturing induced stress. The process reduces “drift” (lack of zero stability) commonly associated with competitive products. Consequently, down time for zero adjustment to compensate for “drift” are exponentially reduced. In addition, the unique mechanical design eliminates the torque effects during installation.

#### Feature

- CE Certified
- 0.25%FS accuracy
- 4~20mA output
- Digital signal processing, high performance digital electronics
- Ultra stable glass bonded sensing elements
- Electropolished Stainless steel 316L(VIM+VAR) media-wetted materials

#### Applications

- Gas cabinets
- Valve Manifold Boxes (VMBs)
- Gas panels
- Bulk gas distribution systems

## SPECIFICATIONS

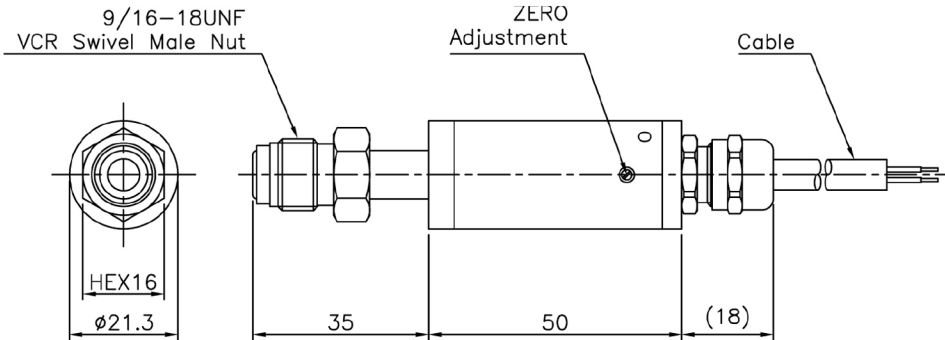
<b>Range</b>	100, 200, 250, 500, 3000 psi(Gauge)
<b>Performance</b>	
Accuracy	±0.25%FS(RSS)
Thermal Effect on Zero	±0.03%FS/°C
Thermal Effect on Span	±0.03%FS/°C
Compensated Temperature Range	-20 ~ 60°C
Operating Temperature Range	-40 ~ 100°C
<b>Electrical</b>	
Excitation	10 ~ 30VDC
Output	4 ~ 20mA(2Wire)
Insulation Resistance	50MΩ @250VDC
Electrical Connection	Cable
<b>Physical</b>	
Proof Pressure	200%FS Max.
Burst Pressure	400%FS Min.
Pressure Port	Single end 9/16–18UNF VCR Swivel Male Nut Flow through 9/16–18UNF VCR Fixed Male Nut
Wetted Surface Finish	Electropolished, typical Ra ≤ 0.18μm(Ra7) ; max Ra ≤ 0.25μm(Ra10)
Media–Wetted Materials	Stainless Steel 316L VIM+VAR
Weight	Single end type Approx. 210g (include Cable 2m)

\* Specifications are subject to change without notice



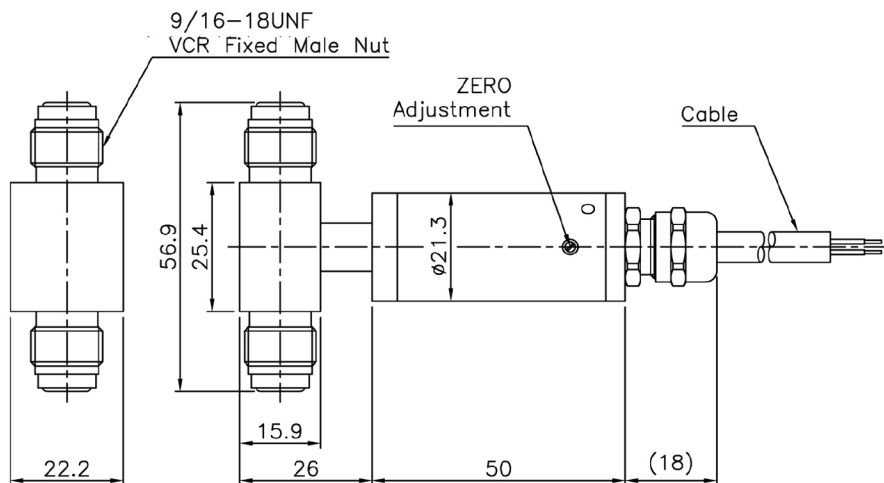
## Dimension

### ► Single end Type



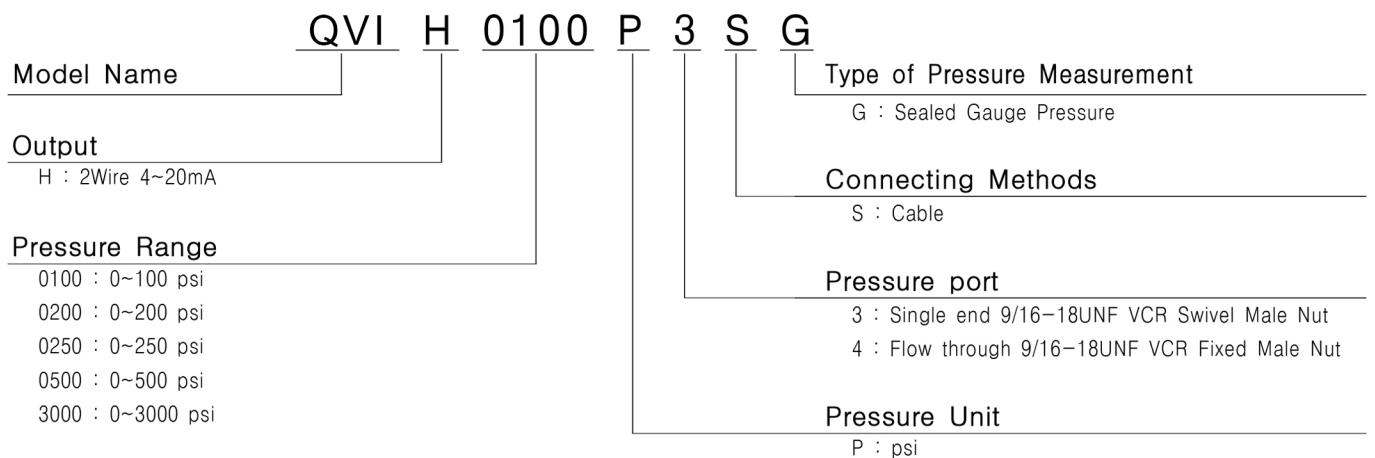
Wire Color	Connections
Red	Input ⊕
Black	Output ⊕
Shield	Earth

### ► Flow Through Type



Wire Color	Connections
Red	Input ⊕
Black	Output ⊕
Shield	Earth

## Ordering Information



\* Specifications are subject to change without notice

WZO CONTROLS LTD